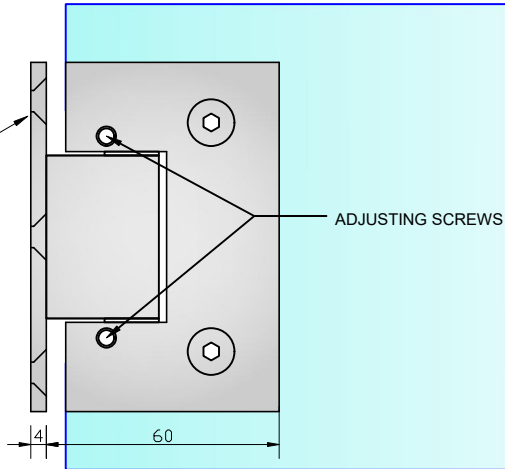


**REAR VIEW
ON HINGE**

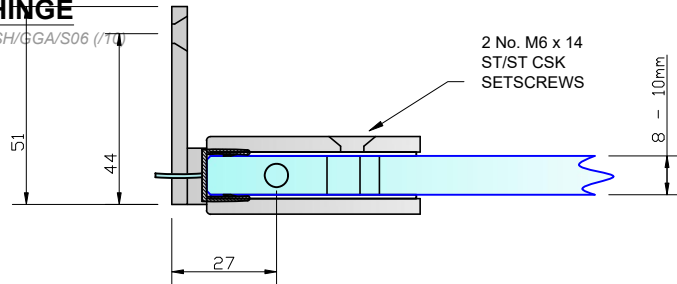
3 No. Ø5,5 HOLES
CSK TO SUIT
No. 10 SCREWS.



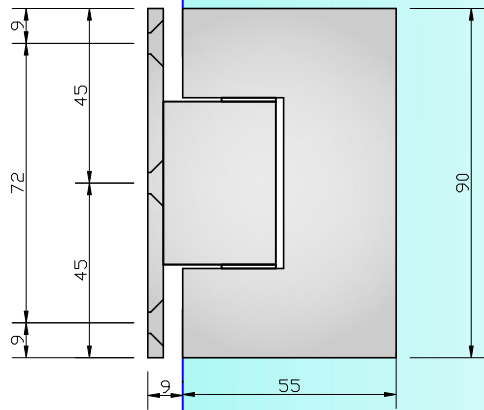
**PLAN VIEW
ON HINGE**

Seal shown is SH/GGA/S06 (TU)

2 No. M6 x 14
ST/ST CSK
SETSCREWS

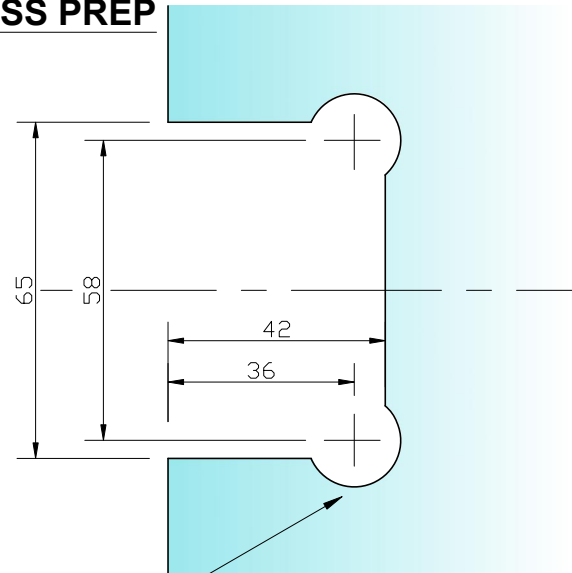


**FRONT VIEW
ON HINGE**



(9mm GLASS GAP REQ.)

**REQUIRED
GLASS PREP**



Ø18mm HOLES

Spiral Hardware Ltd,
Unit 9 Wimbledon Ave,
Brandon, Suffolk
IP27 0NZ

TEL: +44 (0)1842 811818
FAX: +44 (0)1842 815515
WEB: www.spiralhardware.co.uk
E-MAIL: sales@spiralhardware.co.uk

Copyright (c) - April 2018, All Rights Reserved

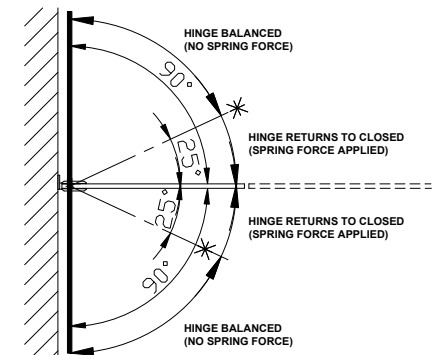
ALL VISIBLE COMPONENTS IN CHROME PLATED BRASS.

PRODUCT SUITABLE FOR 8 TO 10mm TOUGHENED GLASS PANES.

HINGE SUPPLIED COMPLETE WITH:-

- 1) 2no 1.3mm & 2no 0.9mm CLEAR PVC GASKETS
- 2) 2no M6 x 16mm C/SUNK CLAMPING SCREWS
- 2) No. 10 x 50mm SCREWS AND PLASTIC PLUGS

(NOTE CUSTOMER TO PROVIDE ALTERNATIVE FIXINGS WHERE REQUIRED)



PRODUCT REF:	SH/NKE/4272
DESCRIPTION:	DIMENSIONED ELEVATIONS AND REQUIRED GLASS PREP DETAIL * MN - 12/12/23