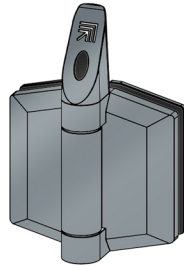
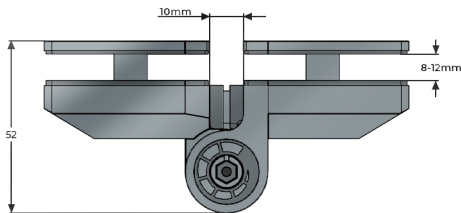


REAR VIEW



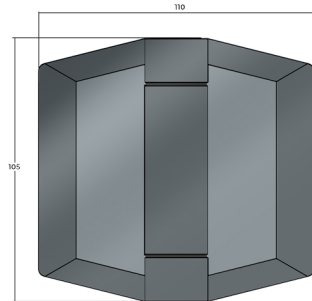
INSTALLED SAFETY CAP



TOP VIEW

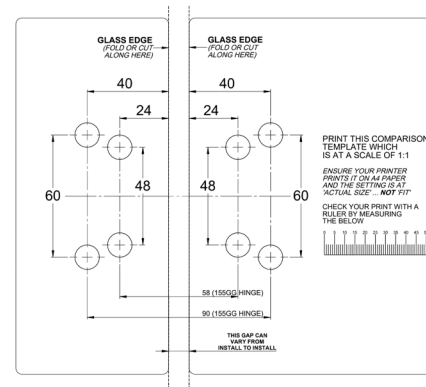
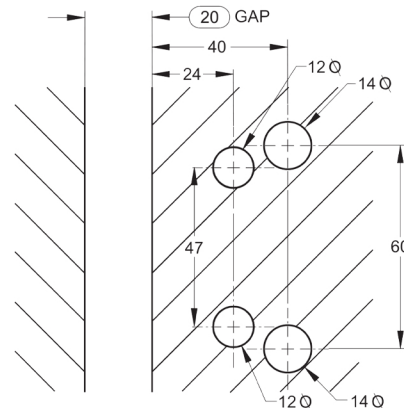


SIDE VIEW



FRONT VIEW

GLASS PREPARATION



NOTES / SPECIFICATION:

ALL HINGES COMPONENTS IN 2205 GRADE STAINLESS STEEL.
 RECOMMENDED FOR 8MM - 10MM GLASS. SUITABLE FOR GLASS UP TO 21MM.
 AVAILABLE IN POLISHED STAINLESS STEEL, BRUSHED STAINLESS STEEL, AND MATT BLACK FINISHES.

GLASS MAX. WIDTH: 900MM
 GLASS MAX. HEIGHT: 1500MM
 GLASS MAX. WEIGHT: 45KG

PRODUCT REF:	155GG - 155GP / 155GS / 155GB
DESCRIPTION:	HINGE DIMENSIONS AND GLASS PREPARATION DETAILS.
DRAWING REF:	155GG - 155GP / 155GS / 155GB