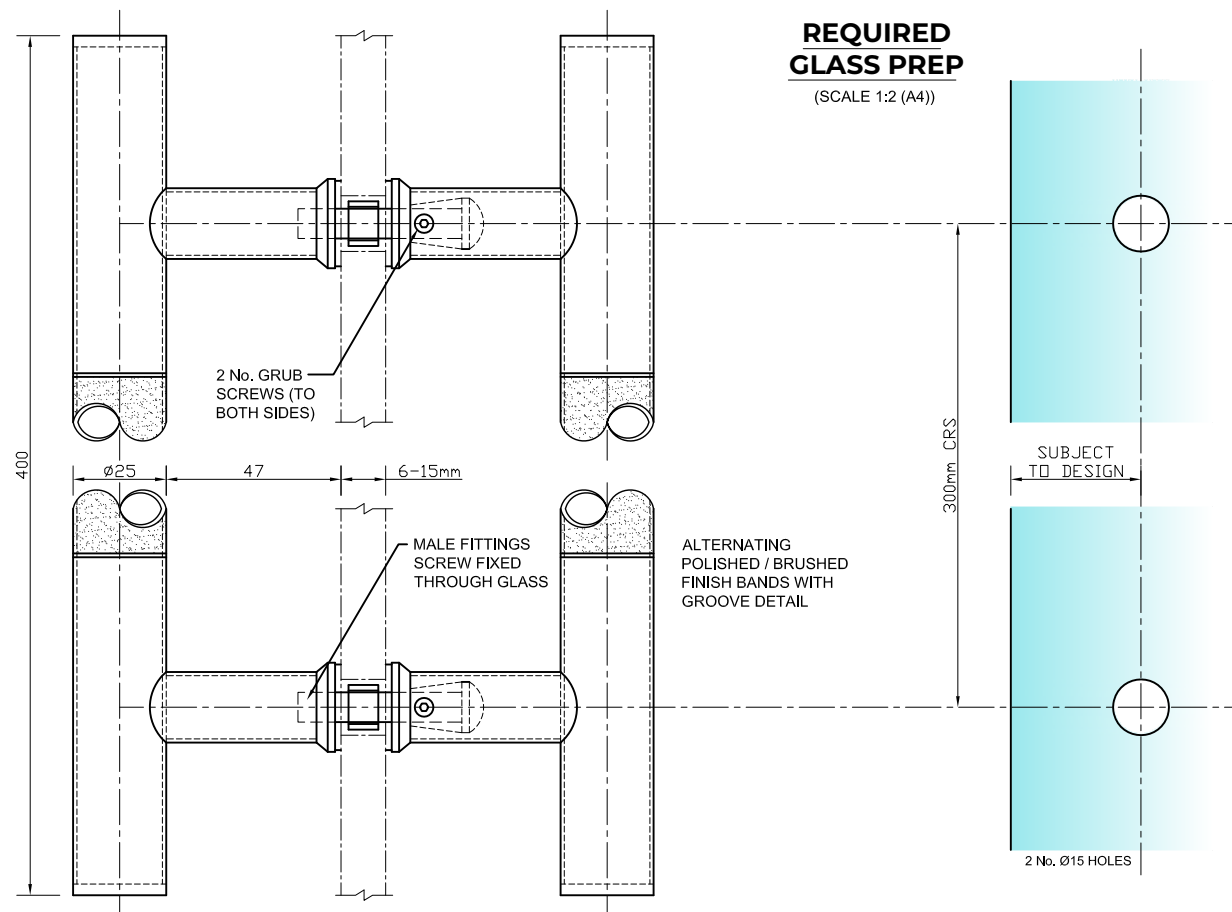


EXAMPLE VIEWS ON TYPICAL DOOR

NOTE - PULL HANDLE CAN BE UTILISED ON GLASS AND DOOR FRAMES THICKER THAN 15mm. M8 x 45mm POSI-PAN SCREW PROVIDED AS STANDARD FOR 15mm MAX.

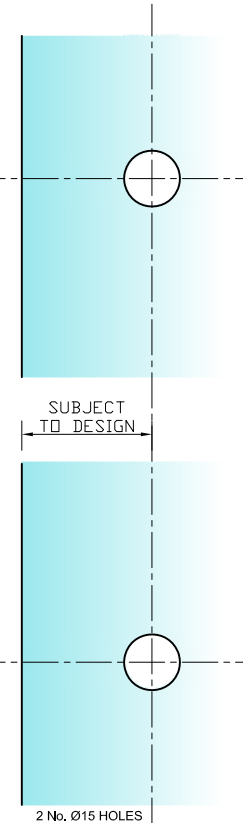
SIDE VIEW ON HANDLE

(SCALE 1:2 (A4))



REQUIRED GLASS PREP

(SCALE 1:2 (A4))



NOTES/SPECIFICATION:

PULL HANDLE COMPONENTS SUPPLIED IN POLISHED STAINLESS STEEL.

PULL HANDLE SUITABLE FOR 6 TO 15mm GLASS PANES (WITH STANDARD SCREWS PROVIDED). CAN ALSO BE UTILISED ON THICKER GLASS AND DOOR FRAMES, HOWEVER LONGER M8 POSI PAN FIXINGS WILL BE REQUIRED (PROVIDED BY OTHERS).

PRODUCT REF:	SH/GGA/P15
DESCRIPTION:	DIMENSIONED ELEVATIONS AND PRODUCT DETAILS
DRAWING REF:	SH/GGA/P15 - 001B