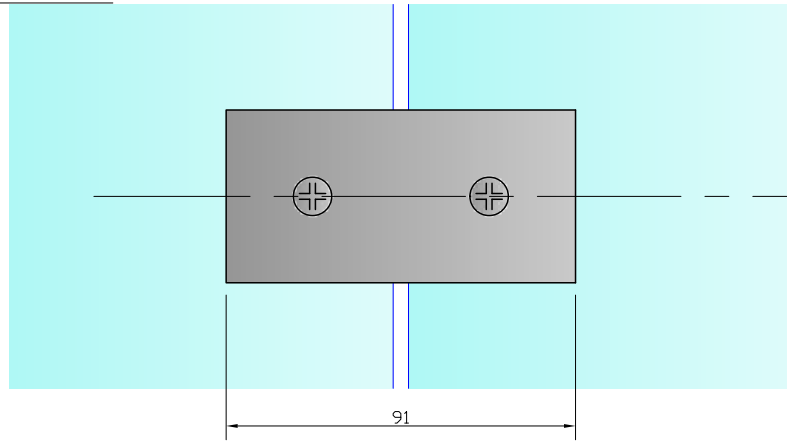
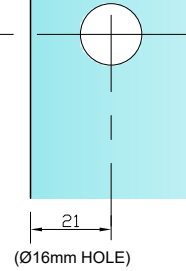


**REAR VIEW
ON FITTING**

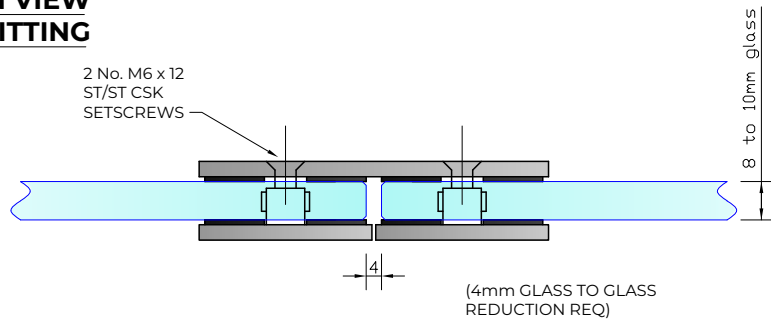


**REQUIRED
GLASS PREP**

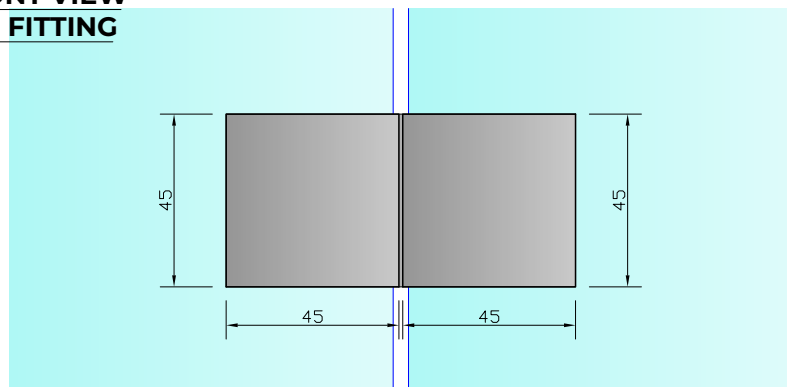
TO BOTH GLASS PANES
HOLE PREP CAN BE SLOTTED TO GLASS EDGE
TO SUIT FABRICATORS LIMITATIONS



**PLAN VIEW
ON FITTING**



**FRONT VIEW
ON FITTING**



The Glass Warehouse, 51-55 Fowler Road, Hainault,
Essex, IG6 3UT

Tel: +44 (0)20 8500 1188
info@theglasswarehouse.co.uk
www.theglasswarehouse.co.uk

Copyright (C) - October 2020, All Rights Reserved

NOTES/SPECIFICATION:

ALL FITTING COMPONENTS IN BRUSHED STAINLESS STEEL.

PRODUCT SUITABLE FOR 8 TO 10mm TOUGHENED GLASS PANES.

FITTING SUPPLIED COMPLETE WITH:-

- 1) 4 No. x 1.25mm BRACK RUBBER GLAZING WASHERS.
- 2) 2 No. M6 x 12mm ST/ST POSI-DRIVE HEAD CSK SETSCREWS

(NOTE CUSTOMER TO PROVIDE ALTERNATIVE FIXINGS WHERE
REQUIRED)

PRODUCT REF: SH/PAS/B03

DESCRIPTION: DIMENSIONED ELEVATIONS AND
REQUIRED GLASS PREP DETAIL

DRAWING REF: SH/PAS/B03 - 001B