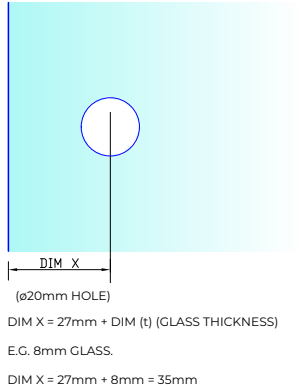
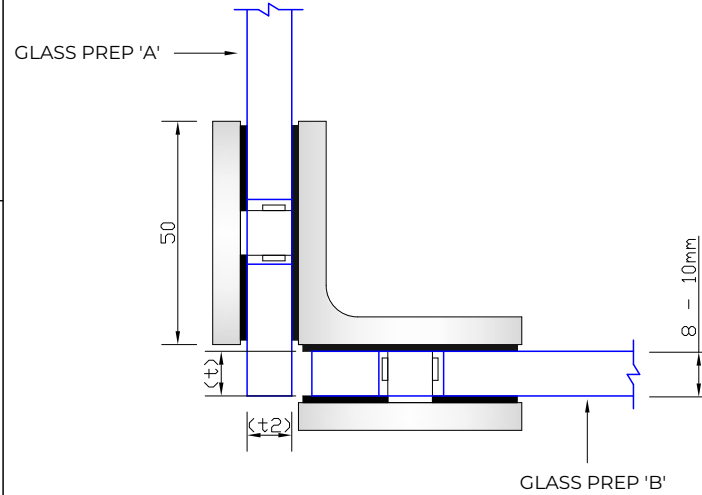


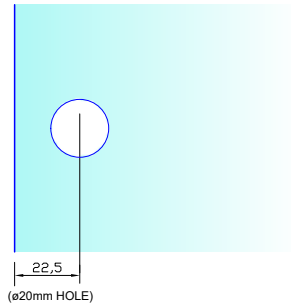
**REQUIRED
GLASS PREP 'A'**



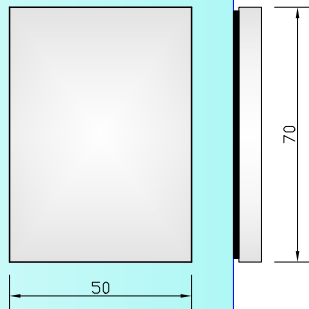
**PLAN VIEW
ON FITTING**



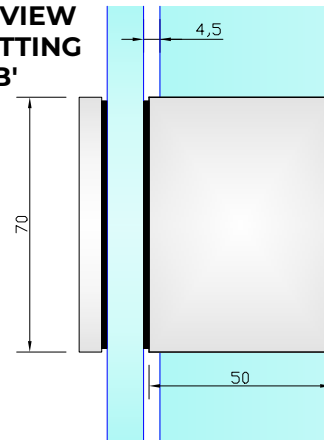
**REQUIRED
GLASS PREP 'B'**



**FRONT VIEW
ON FITTING
'A'**



**SIDE VIEW
ON FITTING
'B'**



NOTES/SPECIFICATION:

ALL VISIBLE COMPONENTS IN CHROME PLATED BRASS.

PRODUCT SUITABLE FOR 8 TO 10mm TOUGHENED GLASS PANES.

FITTING SUPPLIED COMPLETE WITH:-

- 1) 4 No. x 1.25mm BLACK RUBBER GLAZING WASHERS.
- 2) 2 No. M6 x 12mm ST/ST HEX HEAD CSK SETSCREWS.

(NOTE CUSTOMER TO PROVIDE ALTERNATIVE FIXINGS WHERE REQUIRED)

PRODUCT REF: SH/NKE/B02

DESCRIPTION: DIMENSIONED ELEVATIONS AND
REQUIRED GLASS PREP DETAIL

DRAWING REF: SH/NKE/B02 - 001