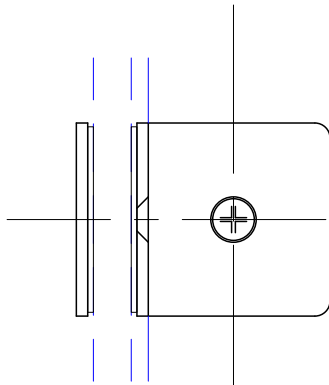
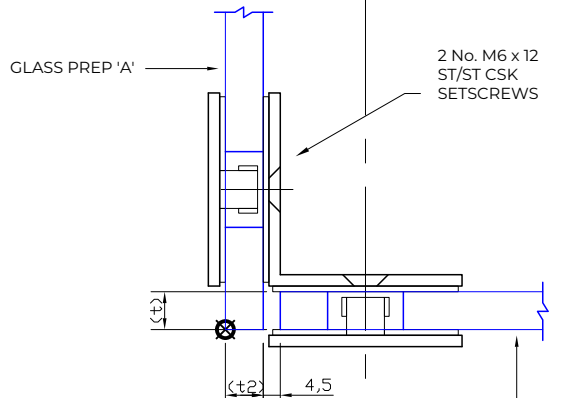


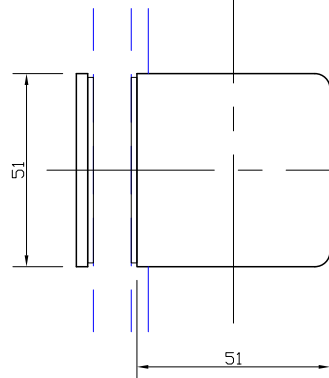
**REAR VIEW
ON FITTING**



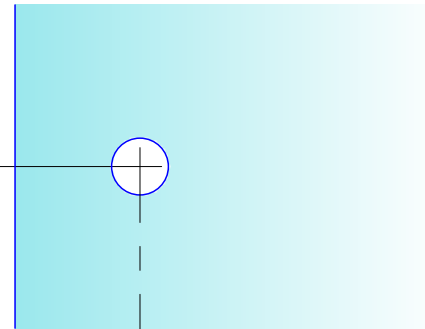
**PLAN VIEW
ON FITTING**



**FRONT VIEW
ON FITTING**



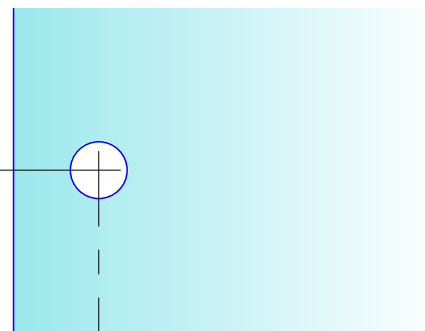
**REQUIRED
GLASS PREP 'A'**



DIM X
(Ø20mm HOLE)
DIM X = 27mm + DIM (t) (GLASS THICKNESS)
E.G. 8mm GLASS.
DIM X = 27mm + 8mm = 35mm

(GLASS GAP REQ.
FROM OUTSIDE GLASS CORNER
DATUM HIGHLIGHTED):-
+ 0mm (PREP 'A' GLASS)
- (DIM (t2) + 4.5mm) (PREP 'B' GLASS)

**REQUIRED
GLASS PREP 'B'**



22,5
(Ø20mm HOLE)

NOTES/SPECIFICATION:

ALL FITTING COMPONENTS IN BRUSHED SATIN NICKEL PLATED BRASS

PRODUCT SUITABLE FOR 8-10mm TOUGHENED GLASS, USED IN WALL, BASE AND TOP POSITIONS WHERE REQUIRED

FITTING SUPPLIED COMPLETE WITH:-

- 1) 4 No. x 1.25mm TRANSLUCENT RUBBER GLAZING WASHERS.
- 2) 2 No. M6 x 12mm ST/ST POSI-DRIVE HEAD CSK SETSCREWS

(NOTE CUSTOMER TO PROVIDE ALTERNATIVE FIXINGS WHERE REQUIRED)

PRODUCT REF: SH/APH/B02/S

DESCRIPTION: DIMENSIONED ELEVATIONS AND REQUIRED GLASS PREP DETAIL

DRAWING REF: SH/APH/B02/S - 001D