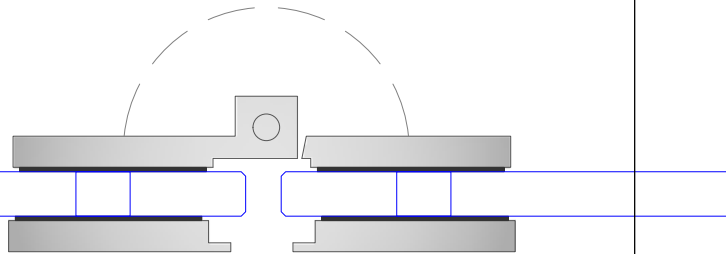
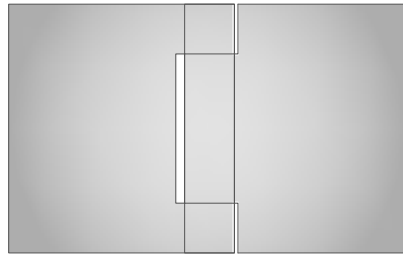
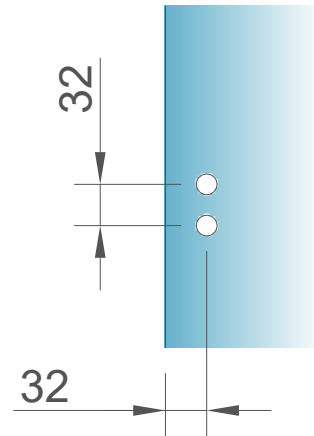
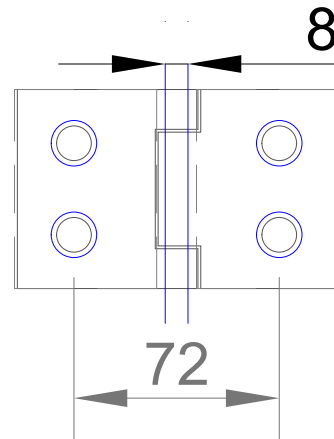
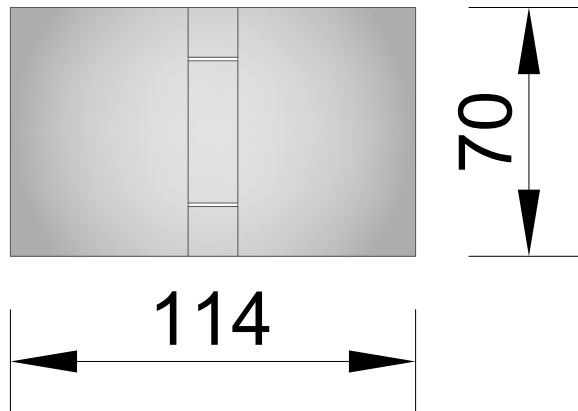


## GLASS PREP

Ø16mm HOLES

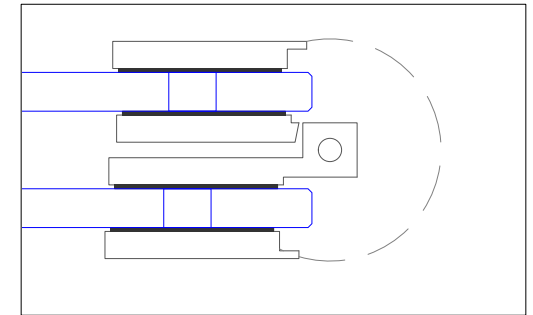


8mm GLASS TO GLASS GAP  
 TYPICAL SEAL SH/GGA/S16 (\_10)

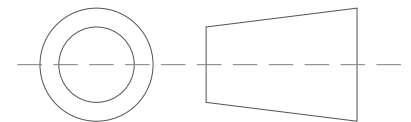


### NOTES/SPECIFICATION:

- ALL VISIBLE COMPONENTS IN SATIN NICKEL PLATED BRASS.
- PRODUCT SUITABLE FOR 8 TO 10mm TOUGHENED GLASS PANES.
- HINGE SUPPLIED COMPLETE WITH COVERS AND GASKETS.
- (NOTE CUSTOMER TO PROVIDE ALTERNATIVE FIXINGS WHERE REQUIRED)



**3rd Angle Projection**



<b>PRODUCT REF:</b>	<b>SH/NKE/5202/S</b>
<b>DESCRIPTION:</b>	DIMENSIONED ELEVATIONS AND GLASS PREP DETAILS
<b>DRAWING REF:</b>	<b>SH/NKE/5202/S - 001</b>