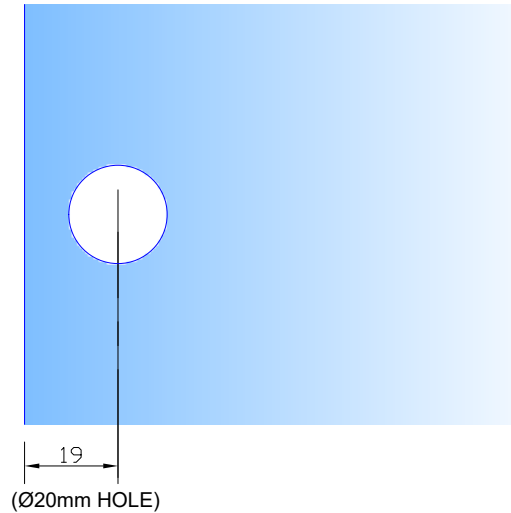
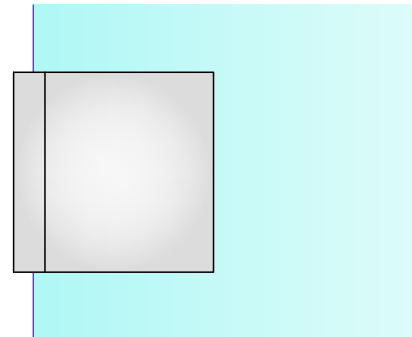


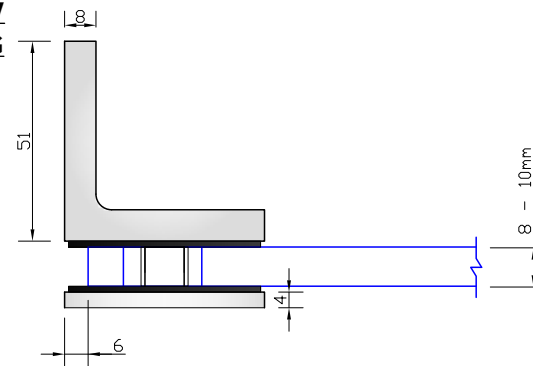
REQUIRED GLASS PREP



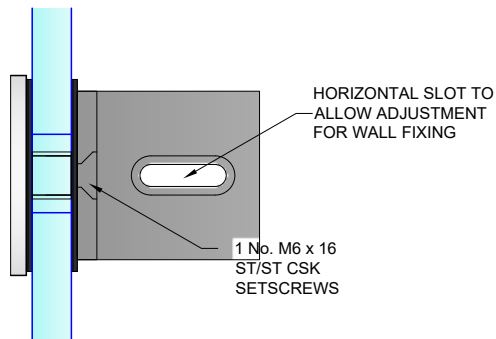
REAR VIEW ON FITTING



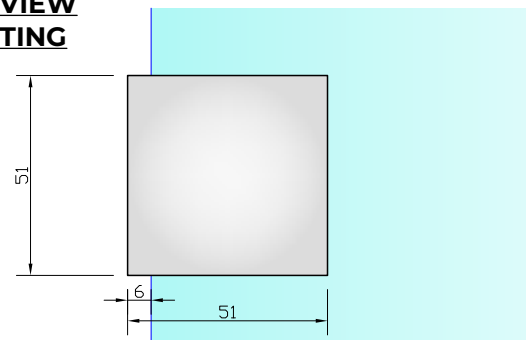
PLAN VIEW ON FITTING



SIDE VIEW WITHOUT COVER



FRONT VIEW ON FITTING



(6mm GLASS GAP TO WALL REQ.)

NOTES/SPECIFICATION:

ALL VISIBLE COMPONENTS IN CHROME PLATED BRASS.

PRODUCT SUITABLE FOR 8 TO 10mm TOUGHENED GLASS PANES.

FITTING SUPPLIED COMPLETE WITH:-

- 1) 2 No. x 1.5mm BLACK RUBBER GLAZING GASKETS.
- 2) 1 No. M6 x 16mm ST/ST HEX HEAD CSK SETSCREW.

(NOTE: GENERIC WALL FIXING SUPPLIED, HOWEVER CUSTOMER TO PROVIDE ALTERNATIVE FIXINGS WHERE REQUIRED)

PRODUCT REF: SH/APH/B01_D

DESCRIPTION: DIMENSIONED ELEVATIONS AND REQUIRED GLASS PREP DETAIL

DRAWING REF: SH/APH/B01_D - 001