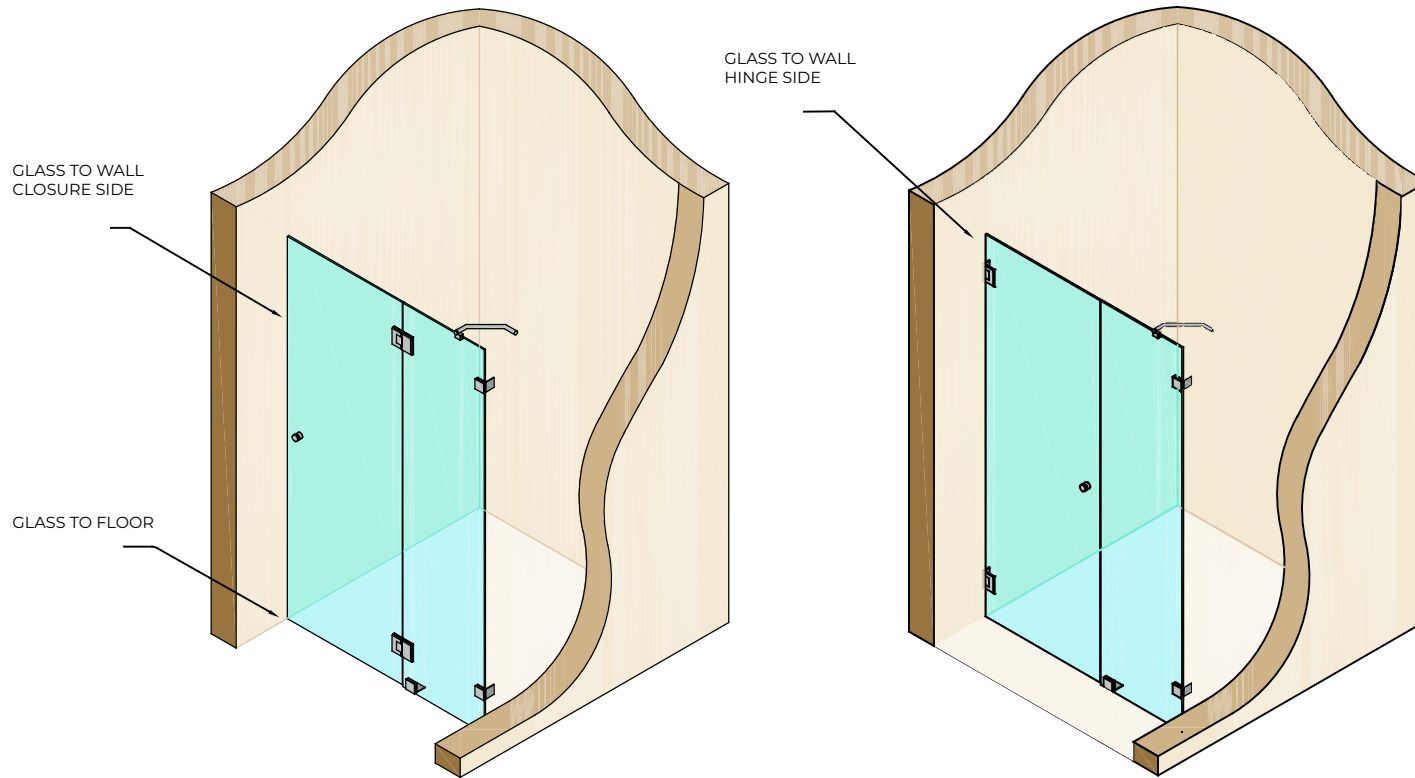


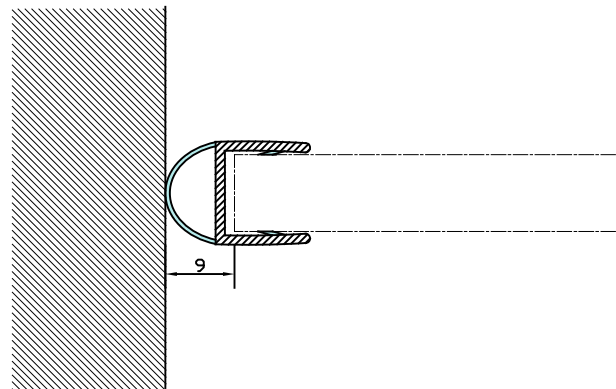
**APPLICATION
EXAMPLE**



**END VIEW
ON SEAL**

SEAL SUITABLE FOR GLASS TO FLOOR MOVEMENT DETAILS.
SEAL ALSO SUITABLE FOR GLASS TO WALL MOVEMENT DETAILS IN BOTH DIRECTIONS ON HINGE SIDE AND CLOSURE SIDE.
SEALS PROVIDED IN SINGLE UNITS.

(9MM GLASS REDUCTION
REQUIRED FROM SURFACE
12MM FIN LENGTH)



**THE GLASS
WAREHOUSE**

The Glass Warehouse, 51-55 Fowler Road, Hainault,
Essex, IG6 3UT

Tel: +44 (0)20 8500 1188
info@theglasswarehouse.co.uk
www.theglasswarehouse.co.uk

Copyright (C) - October 2020, All Rights Reserved

NOTES/SPECIFICATION:

GLAZING SEALS SUPPLIED IN TRANSLUCENT PVC PROFILES.
GLAZING SEAL SUITABLE FOR 10MM GLASS PANELS.
PLEASE NOTE THE REQUIRED GLASS REDUCTION ALONG THE ASSOCIATED SEAL DETAIL

PRODUCT REF:	SH/GGA/S16/10
DESCRIPTION:	DIMENSIONED ELEVATIONS AND PRODUCT DETAILS
DRAWING REF:	SH/GGA/S16/10 - 001A