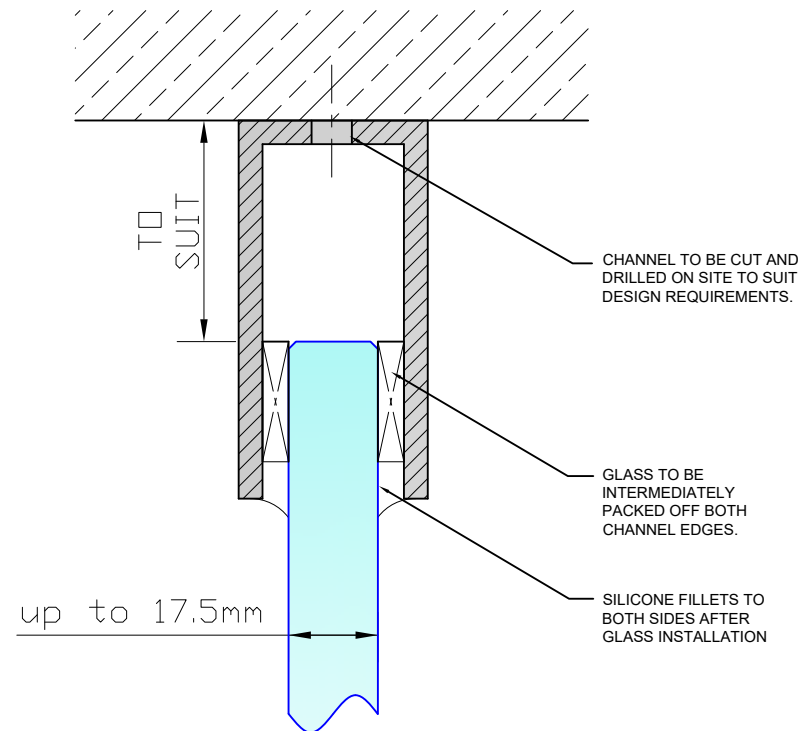
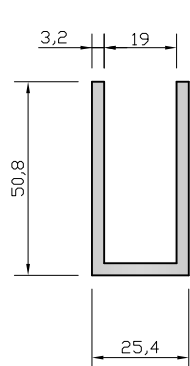


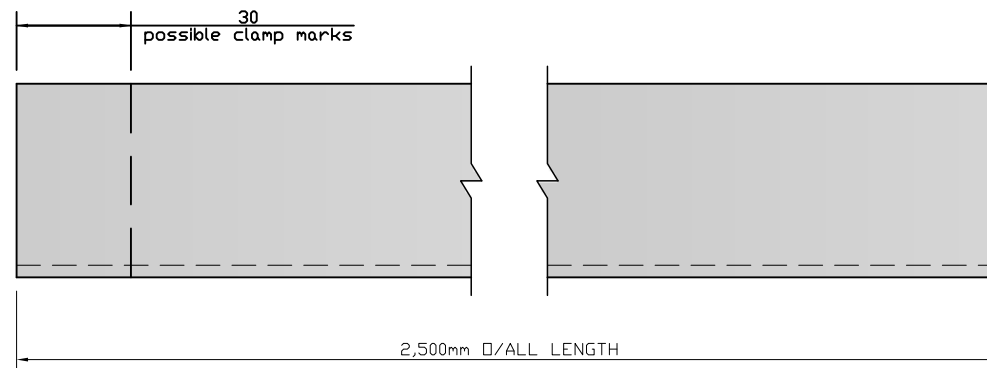
TYPICAL GLAZING DETAIL ON CHANNEL



END VIEW ON CHANNEL



SIDE VIEW ON CHANNEL



NOTES/SPECIFICATION:

GLAZING CHANNEL SUPPLIED IN SILVER ANODISED EXTRUDED ALUMINIUM WITH PLASTIC GLAZING PACKERS

GLAZING CHANNEL SUITABLE FOR UP TO 17.5mm GLASS PANES REQUIRES CUTTING AND DRILLING TO SUIT DESIGN REQUIREMENTS ON SITE

(NOTE CUSTOMER TO PROVIDE REQUIRED FIXINGS)

CAN BE UTILISED IN SHUFFLE GLAZED APPLICATIONS, IN CONJUNCTION WITH OUR CHANNEL:-

SH/GGA/C01 - (25mm(h) GLAZING CHANNEL)

PRODUCT REF:	SH/GGA/C03
DESCRIPTION:	DIMENSIONED ELEVATIONS AND PRODUCT DETAILS
DRAWING REF:	SH/GGA/C03 - 001E